

TECHNICAL DATA SHEET

RADIAL FAN nr. AFGG-35_03



G&G filtration CZ, s.r.o.

A Hrubínova 1903/9, 66451 Šlapanice, CZ
 IČ 05226953 IČ DPH CZ05226953
 E info@ggf.cz W www.ggf.cz

ITEM1

Document printed by Aeraulica - Dimensions and performances can be changed without prior notice

Type and characteristics of the requested machine				performance on		Outlet	
Flow rate	1400 [m3/h]	Capacity (Normal)				1304 [Nm3/h]	
Total pressure	3550 [Pa]	Static pressure					
Working fluid temperature	20 [°C]	Fluid specific weight				1.204 [Kg/m3]	
Installation altitude	0 asl [m]	Specific weight std (20 [°C], 0 asl [m])				1.204 [Kg/m3]	
Suggested model and effective characteristics				performance on		Outlet	
Model	VGN 450/2-I	Execution	E04	Installation Type	A (free inlet and outlet)		
Fluid specific weight	1.204	1.204 [Kg/m3]		Revolution fan speed		2920 [rpm]	
Total pressure	3881	3881 [Pa]		Orientation		RD 0	
Static pressure	3493	3493 [Pa]		Sound power LwA		96.36 [dB(A)]	
Flow rate	1400	1400 [m3/h]		Sound pressure at mt.1.5 1/2 sf in open field		83.06 [dB(A)]	
Capacity (Normal)	1304	1304 [Nm3/h]		Pipings	s>3mm = +3dB; 1mm<s<3mm = +4,5dB ; s<1mm = +6dB		
Power dem. at shaft	1.993	1.993 [kW]		Fan efficiency	Outlet	75.71	%
Motor power demand	1.993	1.993 [kW]					
Characteristics of chosen motor				Motor efficiency IEC 60034-30		IE3	
Code	090L02-50/std3	shape	B3	Efficiency	85.9	86.8	86.1
Rated power	2.2 [kW]	n° poles	2	rpm	2910		
				Load	100%	75%	50%
ErP 2009/125/CE Regulament (UE) N. 327/2011				Notes			
Efficiency grade	64		N	75.8	Total efficiency	69.66	%
Impeller type	backward blades	Type of test	B/total	Flow rate	1756.42 [m3/h]	Pressure	3069 [Pa]
NOTE				Performance on Outlet VGN 450/2-I - E04 - D=0.45[m] - ρ=1.204[kg/m³] - T=20[°C] - 0[m]a.s.l.			
Rpm Limit	<=60 °C: 5000 Rpm						
values of the noise of fan obtained in ambient not reverberant with inlet and outlet ducts fully insulated							

TECHNICAL DATA SHEET

RADIAL FAN nr. AFGG-35_03



G&G filtration CZ, s.r.o.

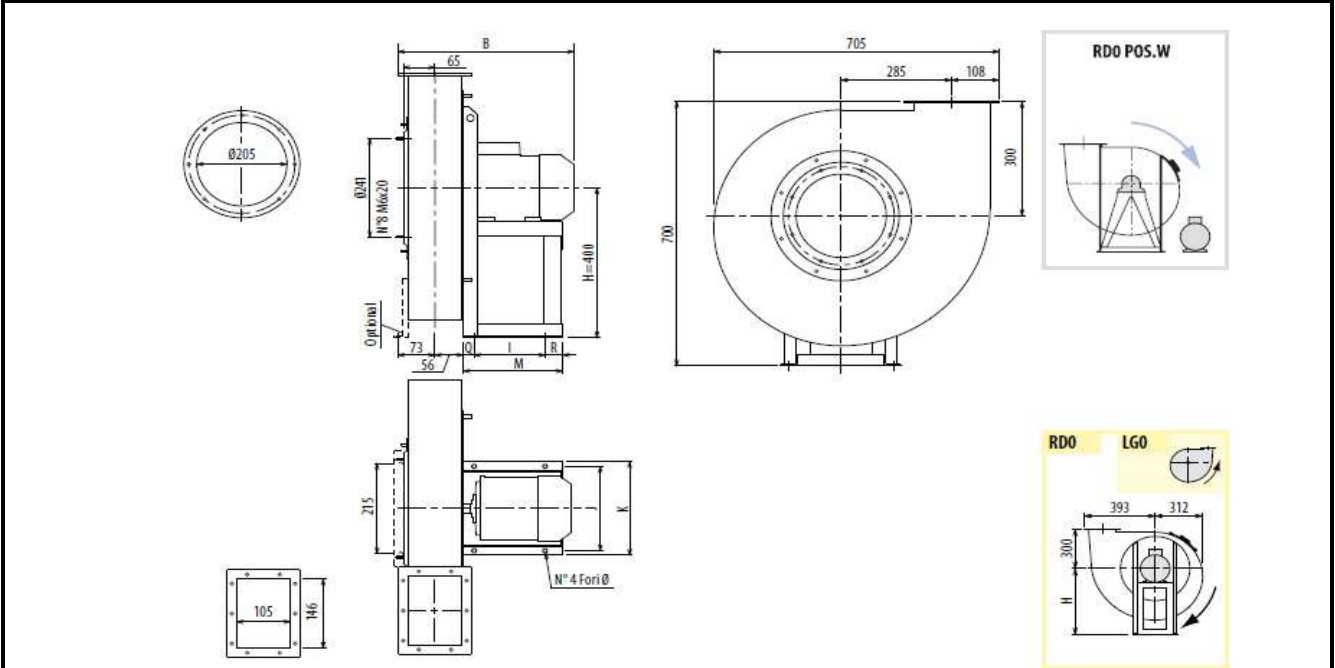
A Hrubínova 1903/9, 66451 Šlapanice, CZ

IČ 05226953 IČ DPH CZ05226953

E info@ggf.cz W www.ggf.cz

ITEM1

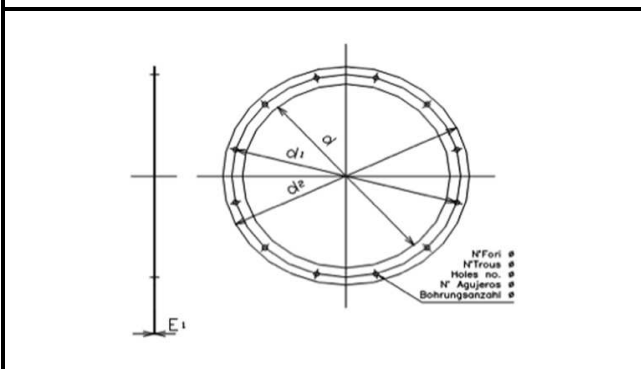
Document printed by Aeraulica - Dimensions and performances can be changed without prior notice



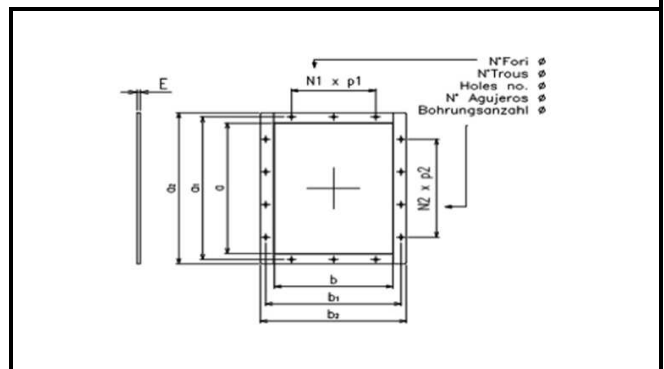
Indicative measures in the standard configuration. For detailed information contact your reference.

Indicative value of weight including standard motor.

B	I	H	H1	H2	J	K	M	Q	R	Φ	PD2	kg
424	133	400	300	400	234	260	251	58	60	10	1,3	60



Cod	dxn°	d1	d2	Φ	E1
0205 A	205x8	241	275	8	3



Cod	axb	a1	b1	a2	b2
0146x0105	146x105	182	139	216	175

N2xp	n°	Φ	E		
1x112	6	12	4		